

POLE BAND SYSTEM

SECURELY MOUNT HARDWARE TO
CYLINDRICAL OR SQUARE WOODEN,
METAL OR CONCRETE POLES



- Pre-Assembled Kits available in many sizes
- Mounting brackets make attaching signage and other equipment easy
- Perfect for wooden, metal or concrete poles



The Slingco Pole Band System includes bolt clamps and 3/4" or 1-1/4" banding. Packages with different band lengths make this system flexible for varying pole sizes. Just measure the circumference of the pole and add a minimum of 6" and select the next size up. The optional mounting plates make this a complete system to securely mount hardware to cylindrical or square wooden, metal or concrete poles.

The pre-assembled system includes aluminum hardware extrusions, bolt hardware and pre-cut lengths of stainless steel banding. The system is easy to attach and tighten onto poles.

The optional mounting plates allow quick attachment of hardware.

Extrusions and mounting plates available separately for use with rolls of banding cut to length in the field.

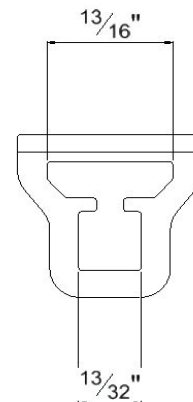
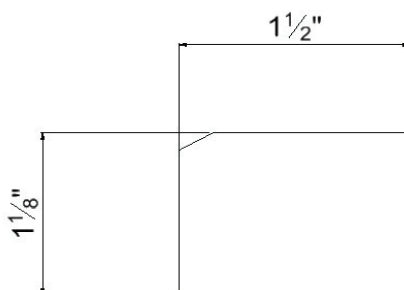
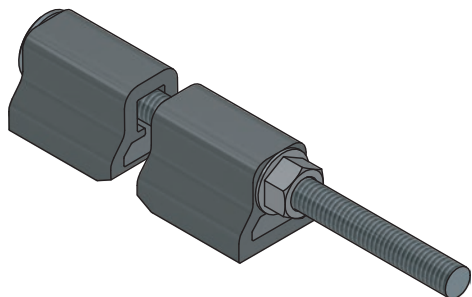
Slingco Part No.	Description	Pack Quantity	Pre-Cut Band Length		Band Width	
			in	mm	in	mm
PRE-ASSEMBLED EXTRUSIONS AND BANDING						
ZPC10646-48	Two extrusions and pre-cut band	12	48	1,219	0.75	19
ZPC10646-72	Two extrusions and pre-cut band	12	72	1,829	0.75	19
ZPC10647-48	Two extrusions and pre-cut band	12	48	1,219	1.25	31.75
ZPC10647-72	Two extrusions and pre-cut band	12	72	1,829	1.25	31.75
BOLT CLAMPS AND MOUNTING PLATES						
ZPC10646	19mm (0.75") Bolt Clamp	12	N/A	N/A	0.75	19
ZPC10647	31.75mm (1.25") Bolt Clamp	12	N/A	N/A	1.25	31.75
ZPC10648	Mounting Plate with 50.8 mm (2") Bolt	12	N/A	N/A	0.75 or 1.25	19 or 31.75
ZPC10910	Mounting Plate with 76.2mm (3") Bolt	12	N/A	N/A	0.75 or 1.25	19 or 31.75



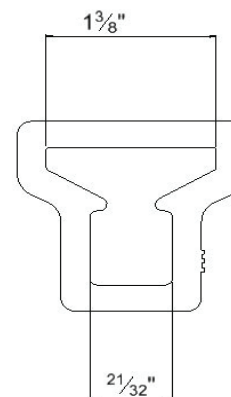
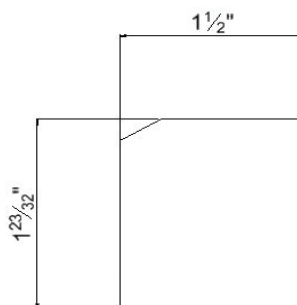
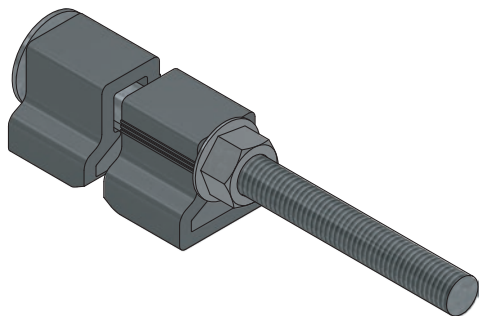
BOLT CLAMPS AND MOUNTING PLATES

Slingco Part No.	Weight (lb)	Pack Quantity	Description
ZPC10646	0.4	12 per box	3/4" Bolt Clamp
ZPC10647	1.2	12 per box	1-1/4" Bolt Clamp
ZPC10648	0.7	12 per box	Mounting Plate with 2" Bolt
ZPC10910	0.8	12 per box	Mounting Plate with 3" Bolt

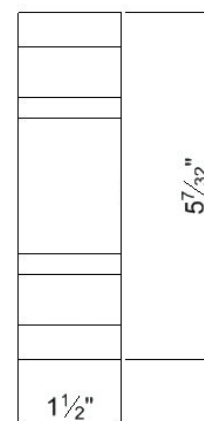
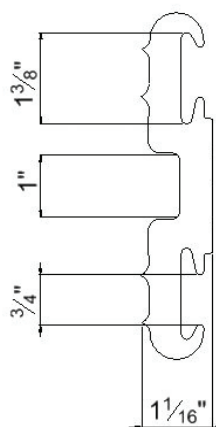
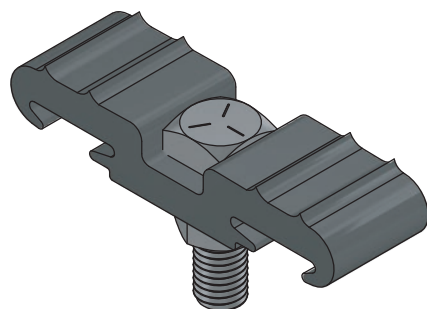
ZPC10646



ZPC10647



ZPC10648 / ZPC10910



FOR ANY INQUIRIES CALL TODAY ON

888 685 9478

Slingco America, Inc.

3100 Jonquil Drive SE, Smyrna, Georgia, 30080, USA

TOLL FREE: 888 685 9478 · sales@slingcoamerica.com



slingcoamerica.com

Slingco makes no warranty, express or implied, with respect to this product nor with respect to its specifications. In no event shall Slingco be liable for any direct, indirect, punitive, incidental, special consequential damages to property or life, whatsoever, arising out of or connected with the use or misuse of this product. This product is intended for use by qualified professionals having adequate knowledge of its proper use. October 2024 - v1.2