

HEAVY DUTY TRIPLE CORNER CABLE LAYING ROLLER

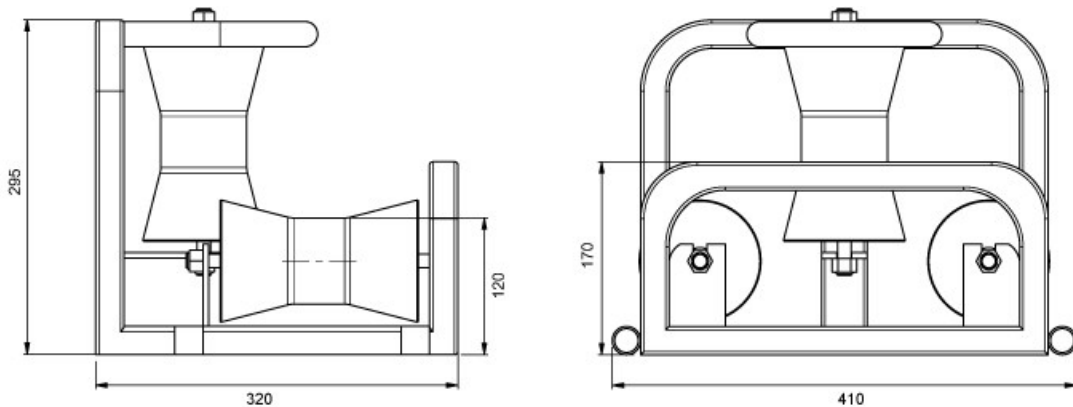


KEY FEATURES

- ✓ Heavy duty corner roller made from tubular sections
- ✓ 3 x 110mm diameter large waisted steel rollers*
- ✓ Sealed roller bearing fitted
- ✓ Zinc plated finish
- ✓ Universal link pin mount positions
- ✓ Weight 8.5Kg

This is a heavy duty corner cable roller for use in most cable laying applications. They can be used singularly or linked together using link pins to form a full bend. All products in the bend roller range have the same link points to facilitate various bend/roller configurations.

* The diablo rollers can be substituted with a heavy gauge 89mm tubular steel roller fitted with oil impregnated maintenance free bushes.



Slingco Part No.	Base Footprint (mm)	Height (mm)
ZGP8269	410 x 320	295

Slingco Part No.	Base Footprint (in)	Height (in)
ZGP8269	16.14 x 12.6	11.61

Slingco Part No.	Base Footprint (in)	Base Footprint (mm)	Height (in)	Height (mm)
ZGP8269	16.14 x 12.6	410 x 320	11.61	295

This information is for marketing purposes only. The details contained herein is presented as general information and no representation or warranty is expressly or impliedly given as to its accuracy, completeness or correctness. It does not constitute part of a legal offer or contract. For technical specifications, please contact Slingco Limited.

Dimensions

The figures shown are indicative only. Fully dimensioned data-sheets are available on request. Nominal figures/actuals are as per data-sheet with tolerances of +/-10%. Please contact us if you have any questions.

Range dimension overlaps If the cable, rope or hose you have lies where ranges overlap, e.g. 1" when sizing is 0.5-1.00 and 1.00-1.5 we recommend that you select your cable grip to achieve break load first. If tensile strengths are equal or both adequate, choose the smaller of the two. Please contact us if you have any questions.



GET IN TOUCH

01706 855 558

sales@slingco.com