

POLE BAND SYSTEM

SECURELY MOUNT HARDWARE TO
CYLINDRICAL OR SQUARE WOODEN,
METAL OR CONCRETE POLES



- Pre-assembled kits available in many sizes
- Mounting brackets make attaching signage and other equipment easy
- Perfect for wooden, metal or concrete poles



The Slingco Pole Band System includes bolt clamps and 3/4" (19 mm) or 1-1/4" (31.75 mm) banding. Packages with different band lengths make this system flexible for varying pole sizes. Just measure the circumference of the pole and add a minimum of 6" (153 mm) and select the next size up. The optional mounting plates make this a complete system to securely mount hardware to cylindrical or square wooden, metal or concrete poles.

The pre-assembled system includes aluminium hardware extrusions, bolt hardware and pre-cut lengths of stainless steel banding. The system is easy to attach and tighten onto poles.

The optional mounting plates allow quick attachment of hardware.

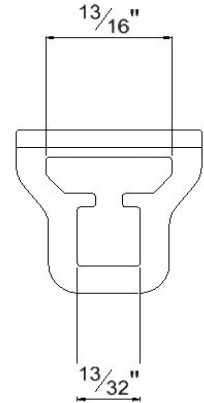
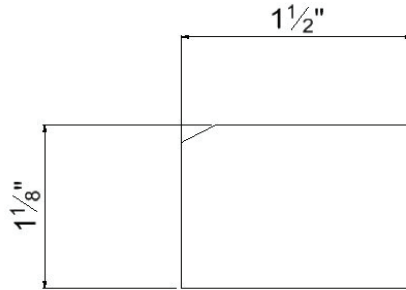
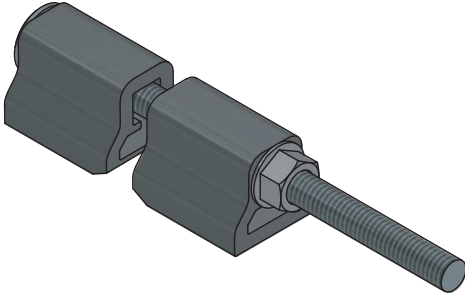
Extrusions and mounting plates available separately for use with rolls of banding cut to length in the field.

Slingco Part No.	Description	Pack Quantity	Pre-Cut Band Length		Band Width	
			in	mm	in	mm
PRE-ASSEMBLED EXTRUSIONS AND BANDING						
ZPC10646-48	Two extrusions and pre-cut band	12	48	1,219	0.75	19
ZPC10646-72	Two extrusions and pre-cut band	12	72	1,829	0.75	19
ZPC10647-48	Two extrusions and pre-cut band	12	48	1,219	1.25	31.75
ZPC10647-72	Two extrusions and pre-cut band	12	72	1,829	1.25	31.75
BOLT CLAMPS AND MOUNTING PLATES						
ZPC10646	19mm (0.75") Bolt Clamp	12	N/A	N/A	0.75	19
ZPC10647	31.75mm (1.25") Bolt Clamp	12	N/A	N/A	1.25	31.75
ZPC10648	Mounting Plate with 50.8 mm (2") Bolt	12	N/A	N/A	0.75 or 1.25	19 or 31.75
ZPC10910	Mounting Plate with 76.2mm (3") Bolt	12	N/A	N/A	0.75 or 1.25	19 or 31.75

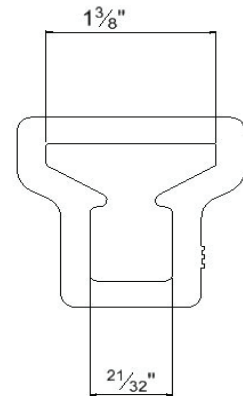
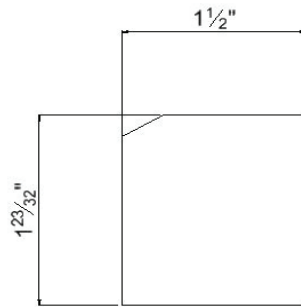
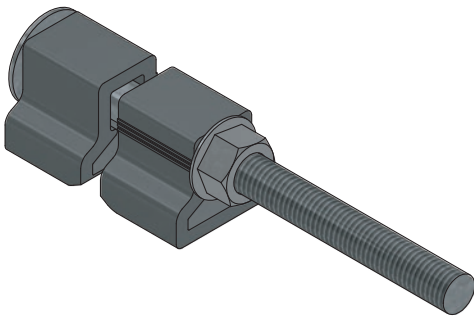
BOLT CLAMPS AND MOUNTING PLATES

Slingco Part No.	Weight (lb)	Pack Quantity	Description
ZPC10646	0.4	12 per box	3/4" Bolt Clamp
ZPC10647	1.2	12 per box	1-1/4" Bolt Clamp
ZPC10648	0.7	12 per box	Mounting Plate with 2" Bolt
ZPC10910	0.8	12 per box	Mounting Plate with 3" Bolt

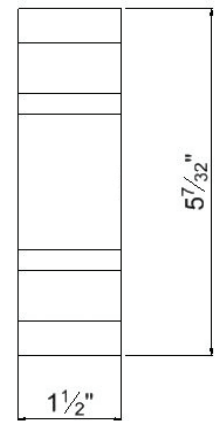
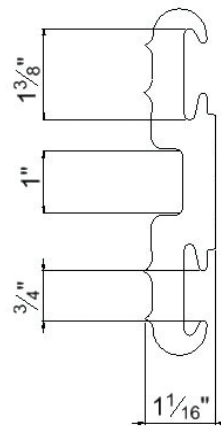
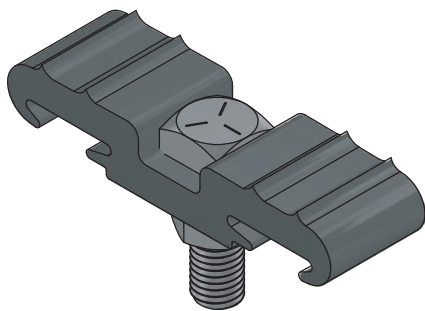
ZPC10646



ZPC10647



ZPC10648 / ZPC10910



FOR ANY ENQUIRIES CALL TODAY ON

+61 3 8840 6556



Slingco Australia Pty. Ltd.

L11, 1 York Street, Sydney, NSW 2000, Australia

Tel: +61 02 8313 5596 · sales@slingcoaustralia.com.au

slingcoaustralia.com.au

This document is for marketing purposes only. The information contained herein is presented as general information and no representation or warranty is expressly or impliedly given as to its accuracy, completeness or correctness. It does not constitute part of a legal offer or contract. For technical specifications, please contact Slingco Australia Pty. Ltd. October 2023 - v1.2