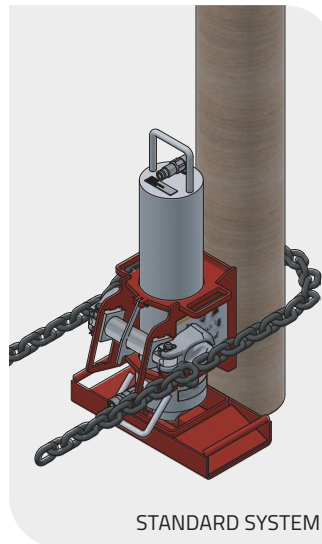
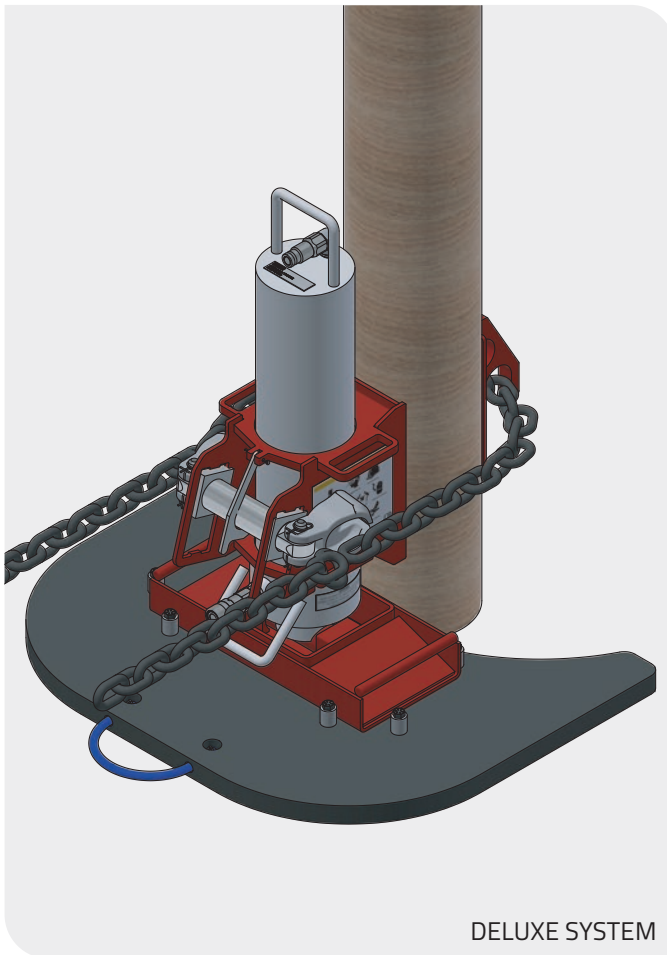


POLE PULLER

REDUCE POTENTIAL BOOM DAMAGE AND PERSONAL INJURY



- Standard and Deluxe options
- Lighter weight than comparable systems
- Base plate with positioning posts for optimum pulling placement
- Low point of attachment for maximum pulling options

Slingco Part No.	Description	Max. Operating Pressure	Recommended Flow Rate	Lift at Max. Pressure		System Total Weight	
		PSI	GPM	lb	kg	lb	kg
TPE09386	Deluxe Pole Puller System	2,800	4 – 8	50,120	22,734	157	71.2
DELUXE Pole Puller System consists of: hydraulic cylinder*, chain, base weldment, swivel assembly PLUS back plate weldment, and pole puller pad. *hydraulic cylinder comes with flush face fittings installed.							
TPE10551	Pole Puller System	2,800	4 – 8	50,120	22,734	128	58
STANDARD Pole Puller System consists of: hydraulic cylinder*, chain, base weldment, swivel assembly. *hydraulic cylinder comes with flush face fittings installed.							
TPE09378	Pole Puller Pad					23	10.43
TPE09367	Back Plate Weldment					6	2.72

Slingco's pole puller is a must have to comply with today's safe working practices, reducing the potential for boom damage and greatly reducing the potential of personal injury.

The pole puller is easily assembled and disassembled. The standard pole puller system is composed of four pieces and the deluxe system six pieces. These configurations make the Slingco pole puller easy to handle and lighter weight than typical units on the market.

The Slingco Deluxe Pole Puller system includes the pole puller pad and back plate weldment. The pole puller pad has studs which keep the base plate in the optimum position when pulling poles. The back plate weldment has angled teeth to increase hold on the pole during extraction.

Slingco's pole puller offers a low point of attachment making it easy to remove even broken or cut poles.

⚠ WARNING
 Cancer and Reproductive Harm
www.P65Warnings.ca.gov



POLE STAND

POSITION WOOD POLES AT OPTIMAL HEIGHT FOR EASY AND SAFE FRAMING



- Lightweight and compact
- Quick swing-and-lock legs
- Positions poles for safe and comfortable framing

Slingco's pole stand is lightweight and compact making it easy to place, remove, and store on your truck or jobsite. The support leg's swing-and-lock design make moving and storing the Slingco pole stand a breeze.

The pole stand positions the pole at an optimal height for easy and safe framing. The pole stand's capacity of 6,000 lb (2,722 kg) makes it capable of handling the majority of wood distribution poles. Its curved cradle allows for safe rotation of the pole for proper framing positioning.

The pole stand's high visibility and durability make it a proven choice for any work location or environment.

Slingco Part No.	Description	Capacity		Height		Width		Weight	
		lb	kg	in	cm	in	cm	lb	kg
TPE09682	Pole Stand	6,000	2,722	23.75	60.33	30	76.2	32	14.5

WARNING
Cancer and Reproductive Harm
www.P65Warnings.ca.gov

FOR ANY ENQUIRIES CALL TODAY ON
+61 3 8840 6556

Slingco Australia Pty. Ltd.
L9, 1 York Street, Sydney, NSW 2000, Australia
Tel: +61 3 8840 6556 · sales@slingcoaustralia.com.au



slingcoaustralia.com.au